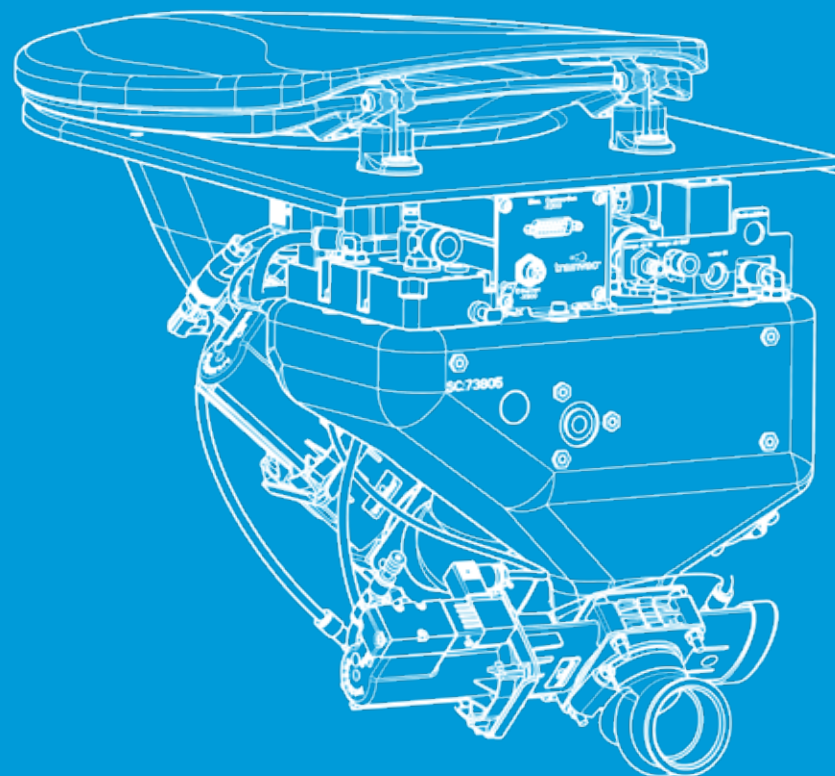


www.trainvac.com

Spare Parts for Vacuum Toilets

***fully compatible,
competitive
...and available!***



RICERCA
REALIZZAZIONE
DISTRIBUZIONE


trainvac™
INTEGRATION THAT SCALES

Trainvac Compact **with Hose Valves**

Spare parts for preventive maintenance
and repair

Spare parts in state-of-the-art quality for
Trainvac Compact vacuum toilet

- fully compatible to apply on **EVAC** toilet
- competitive pricing
- availability granted!



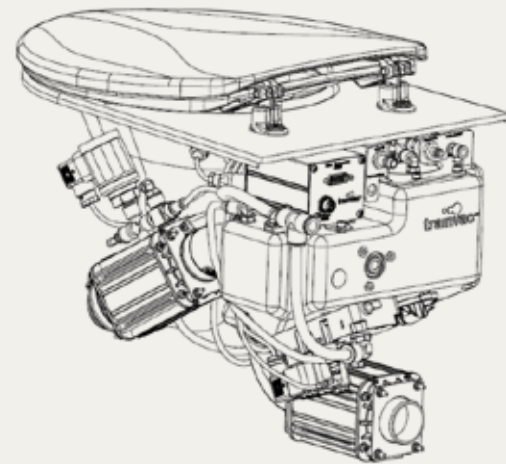
Pressure switch



Water inlet valve



Ejector



Quick exhaust valve



Ejector for hose valve



Bowl level switch



Inlet / Outlet Hose valve

Trainvac Compact **with Slide Valves**

Spare parts for preventive maintenance and repair

Spare parts in state-of-the-art quality for **Trainvac** Compact vacuum toilet

- fully compatible to apply on **EVAC** toilet
- competitive pricing
- availability granted!



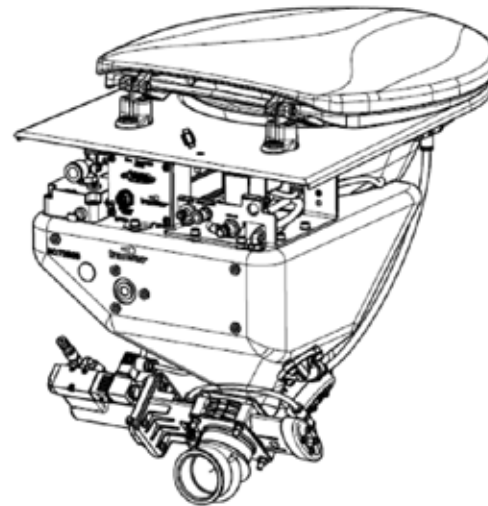
Pressure switch



Water inlet valve



Ejector



*Flush water additive
Trainvac BluFlush*



Quick exhaust valve



Bowl level switch



Inlet / Outlet Slide valve

Integration that scales



Trainvac Group

22880 Wedel (Hamburg)

Germany

p: +49 4103 9038843

m: contact@trainvac.com

www.trainvac.com

We foster the economy



Regional Economic Programme: Funded by the European Union – European Regional Development Fund (ERDF), the Federal Government and Land Schleswig-Holstein

Schleswig-Holstein
Der echte Norden